

A

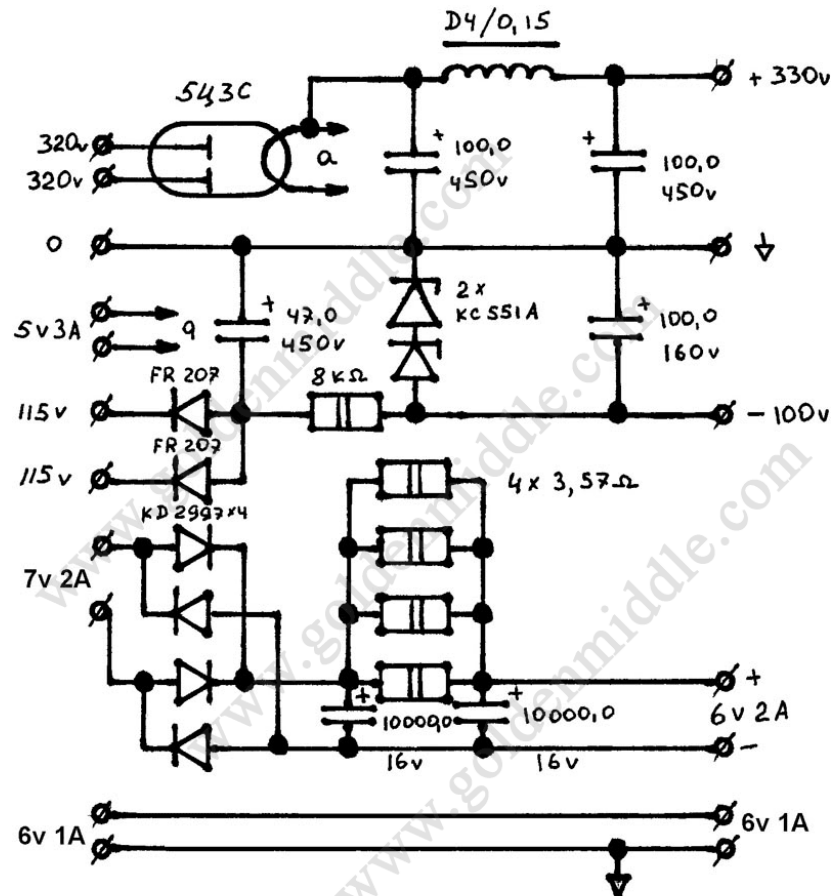
B

C

D

E

F



Источник питания TWIN-T; PRIME-T

TWINS

| Modifications | | Date | Name | Description | Page no. |
|---------------|------|---------------|------|---------------|---------------|
| Date | Name | | | | GOLDEN MIDDLE |
| | | | | | Pages |
| | | TWIN TUBE AMP | | Schematic no. | |
| | | | | POWER SUPPLY | |

1

2

3

4