

A

B

C

D

E

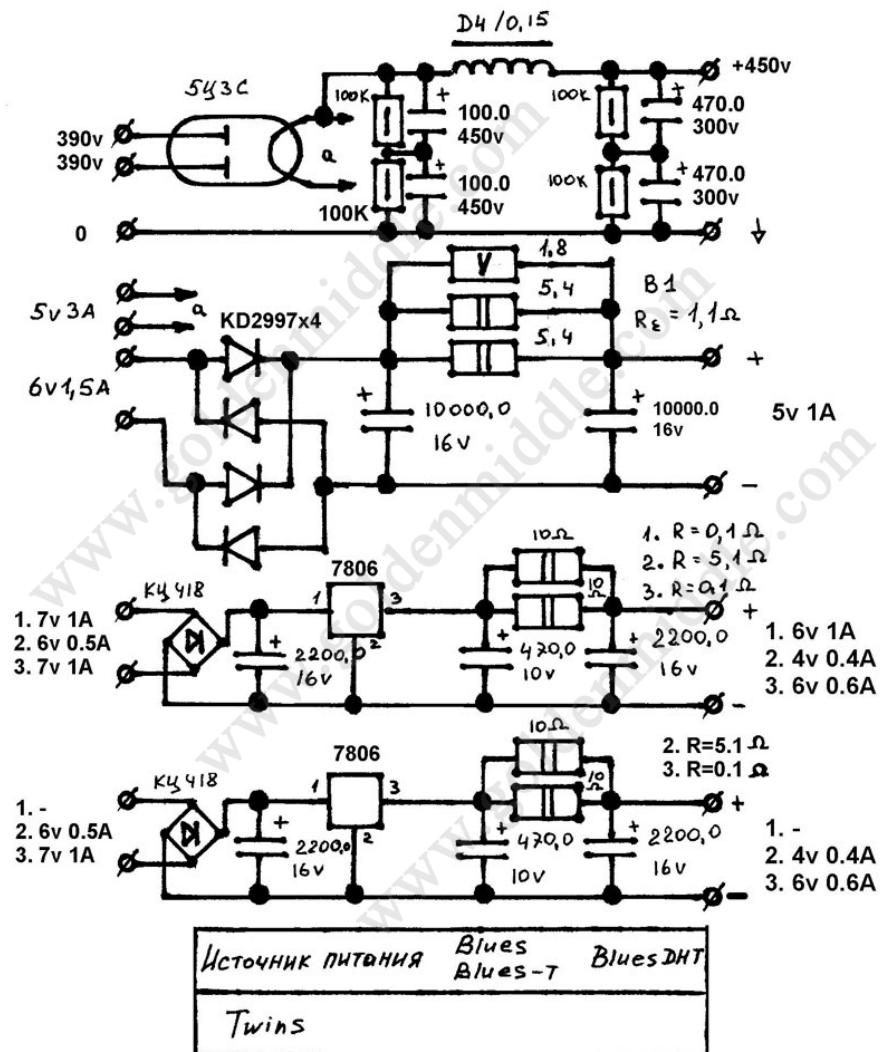
F

1

2

3

4



Modifications		Date	Name	Description	Page no.
Date	Name				GOLDEN MIDDLE
					Pages
			BLUES AMP	Schematic no. TUBE AMP POWER SUPPLY	