

A

B

C

D

E

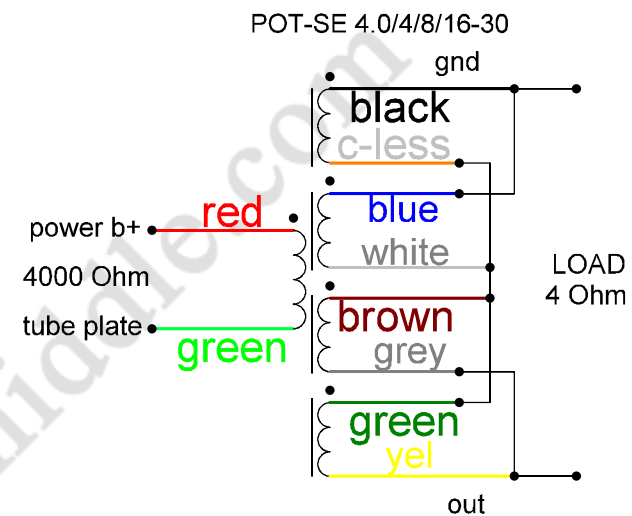
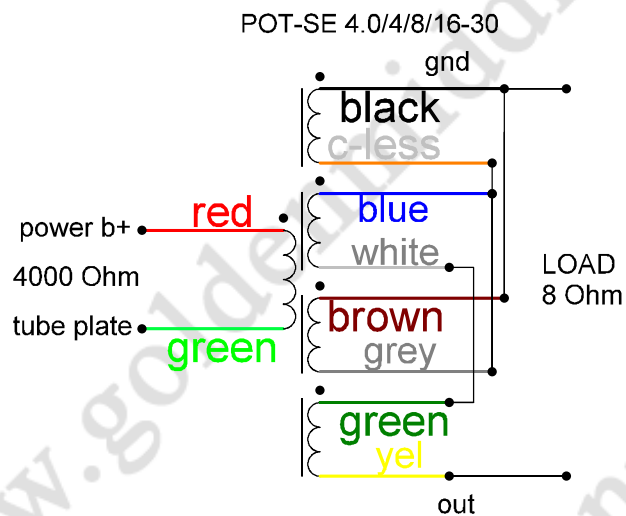
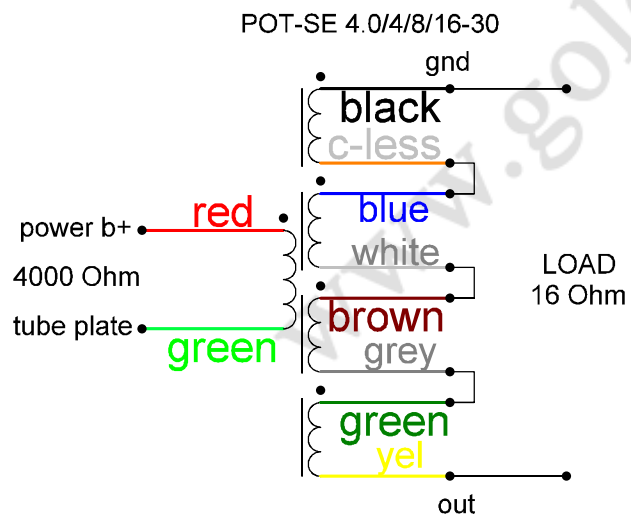
F

1

2

3

4



Modifications		Date	Name	Description	Page no.
Date	Name				GOLDEN MIDDLE
				Pages	
		POT-SE4.0/4/8/16		Schematic no.	
				OUTPUT TRANSFORMER	