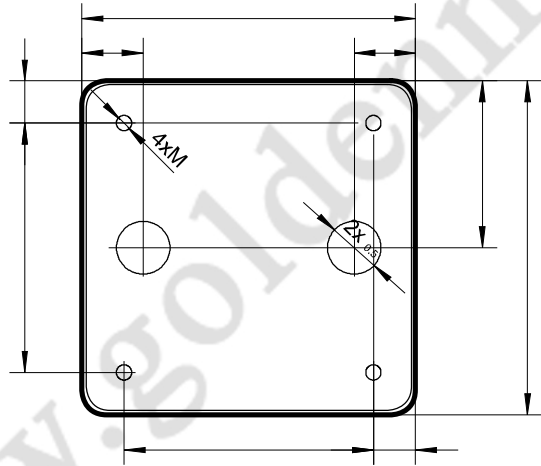
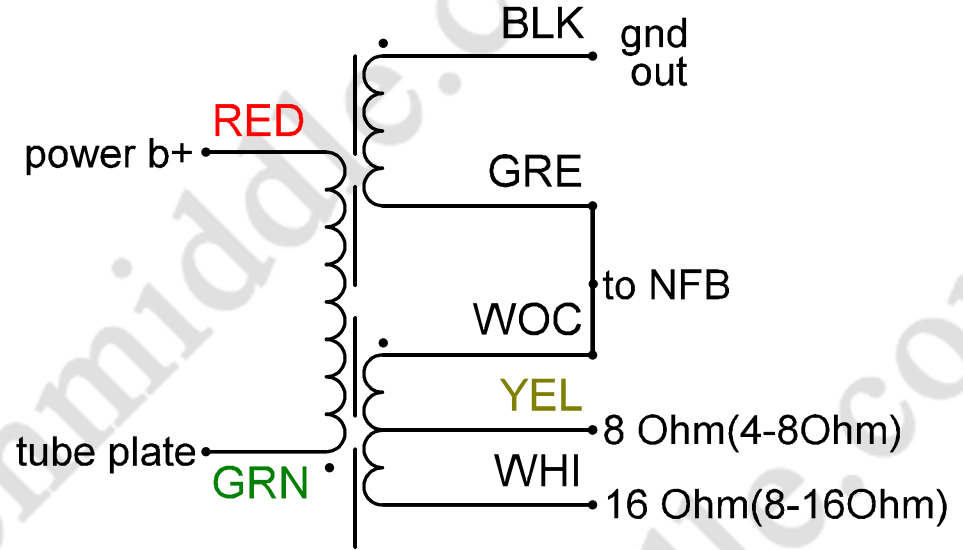


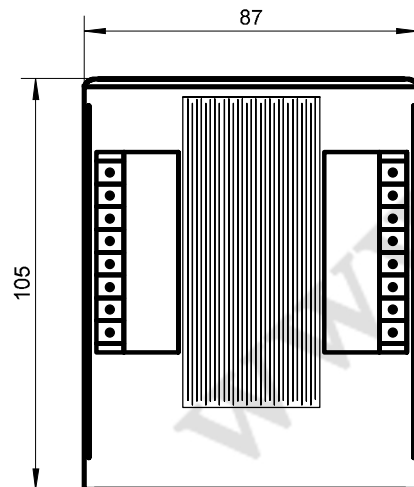
УСТАНОВОЧНЫЕ РАЗМЕРЫ



POT-SEU-5.0/8/16-30



РАСПОЛОЖЕНИЕ ИЗДЕЛИЯ В КОЖУХЕ



Description	TECHNICAL SPECIFICATIONS				
	GOLDEN MIDDLE	CORE TYPE	EI 96X48 SM		
CORE MATERIAL					
MODIFICATION					
DC VOLTAGE		CAT II 1000V			
30W output trafo	TECHNICAL DATA		QC	Date	Name
	DCR1@20C		PASS		
	DCI @250V		PASS		
	L220v@50Hz		PASS		
Schematic no. POT-SEU-5.0/8/16-30	L2v@120Hz		PASS		
	L2v@1000Hz		PASS		