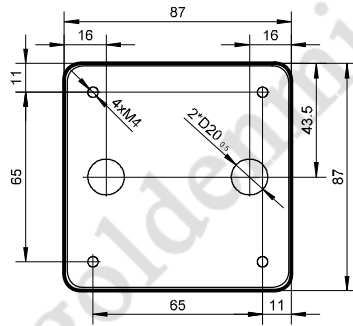
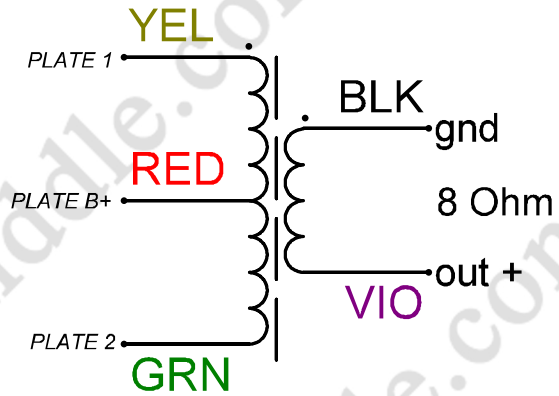


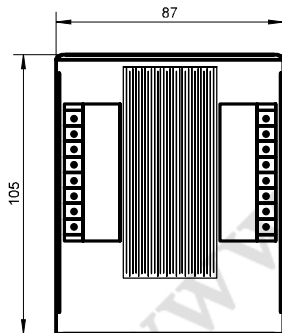
УСТАНОВОЧНЫЕ РАЗМЕРЫ



POT - PP - 8.0 / 8 - 20

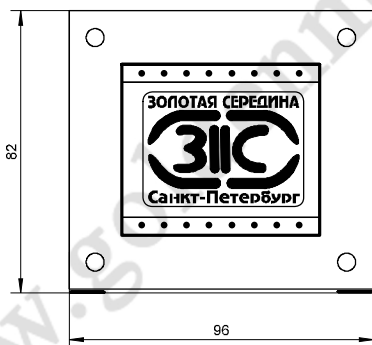


РАСПОЛОЖЕНИЕ ИЗДЕЛИЯ В КОЖУХЕ

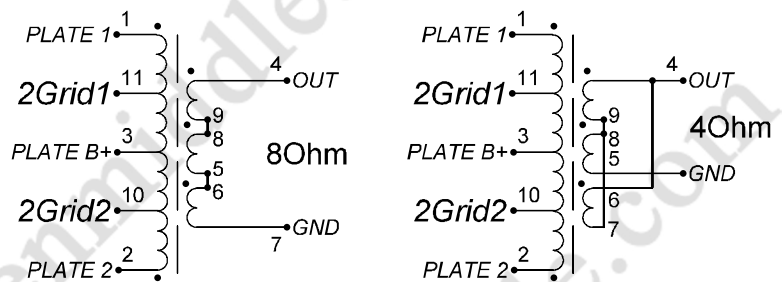


Description	TECHNICAL SPECIFICATIONS			
<b>GOLDEN MIDDLE</b>	CORE TYPE	EI 96X35 SM		
	CORE MATERIAL			
	MODIFICATION			
	DC VOLTAGE	CAT II 1000V		
<b>20W output trafo</b>	TECHNICAL DATA			
	DCR1@20C	PASS	QC	Date
	DCR2@20C	PASS		
Schematic no. <b>POT - PP - 8.0 / 8 - 20</b>	DCI max 2X	PASS		
	L220v@50Hz	PASS		
	L2v@1000Hz	PASS		

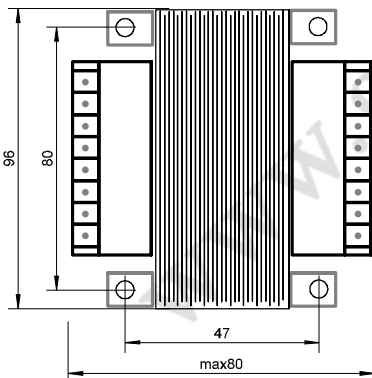
ГАБАРИТНЫЕ РАЗМЕРЫ



OT-PPU-4.0/8-20



УСТАНОВОЧНЫЕ РАЗМЕРЫ



Description	TECHNICAL SPECIFICATIONS			
<b>GOLDEN MIDDLE</b>	CORE TYPE	EI 96X32 SM		
	CORE MATERIAL			
	MODIFICATION			
	DC VOLTAGE	CAT II 1000V		
<b>20W output trafo</b>	TECHNICAL DATA			
	DCR1@20C	PASS	QC	Date
	DCR2@20C	PASS		
Schematic no. <b>OT-PPU-4.0/8-20</b>	DCI max 2X	PASS		
	L220v@50Hz	PASS		
	L2v@1000Hz	PASS		